

# Original Operating Manual

## WineDuett Touch 12



Item No. 625

## 9 Operating Manual

### 9.1 General

Please read the information contained herein so that you can become familiar with your device quickly and take advantage of the full scope of its functions.

Your wine refrigerator will serve you for many years if you handle it and care for it properly.

We wish you a lot of pleasure in using it!

### 9.2 Information on this manual

These Operating Instructions are a component of the WineDuett Touch 12 (referred to hereafter as the Device) and provide you with important information for the initial commissioning, safety, intended use and care of the device.

The Operating Instructions must be available at all times at the device. This Operating Manual must be read and applied by every person who is instructed to work with the device:

- Commissioning
- Operation
- Troubleshooting and/or
- Cleaning

Keep the Operating Manual in a safe place and pass it on to the subsequent owner along with the device.

### 9.3 Warning notices

The following warning notices are used in the Operating Manual concerned here.

**▲GEFAHR**

#### Danger

**A warning notice of this level of danger indicates a potentially dangerous situation.**

If the dangerous situation is not avoided, this can lead to death or serious injuries.

- ▶ Observe the instructions in this warning notice in order to avoid the danger of death or serious personal injuries.

**▲WARNUNG**

#### Warning

**A warning notice of this level of danger indicates a possible dangerous situation.**

If the dangerous situation is not avoided, this can lead to serious injuries.

- ▶ Observe the instructions in this warning notice in order to avoid the personal injuries.

**▲VORSICHT**

#### Attention

**A warning notice of this level of danger indicates a possible dangerous situation.**

If the dangerous situation is not avoided, this can lead to slight or moderate injuries.

- ▶ Observe the instructions in this warning notice in order to avoid the personal injuries.

**HINWEIS****Please note**

A notice of this kind indicates additional information, which will simplify the handling of the machine.

**9.4 Limitation of liability**

All the technical information, data and notices with regard to the installation, operation and care are completely up-to-date at the time of printing and are compiled to the best of our knowledge and belief, taking our past experience and findings into consideration.

No claims can be derived from the information provided, the illustrations or descriptions in this manual.

The manufacturer does not assume any liability for damages arising as a result of the following:

- Non-observance of the manual
- Uses for non-intended purposes
- Improper repairs
- Technical alterations, modifications of the device
- Use of unauthorized spare parts

Modifications of the device are not recommended and are not covered by the guarantee.

All translations are carried out to the best of our knowledge. We do not assume any liability for translation errors, not even if the translation was carried out by us or on our instructions. The original German text remains solely binding.

**9.5 Copyright protection**

This document is copyright protected.

Braukmann GmbH reserves all the rights, including those for photomechanical reproduction, duplication and distribution using special processes (e.g. data processing, data carriers, data networks), even partially.

Subject to content and technical changes.

**10 Safety**

This chapter provides you with important safety notices when handling the device.

The device corresponds with the required safety regulations. Improper use can result in personal or property damages.

## 10.1 Intended use

This device is only intended for use in households in enclosed spaces for cooling wine and other beverages. Uses for a different purpose or for a purpose which exceeds this description are considered incompatible with the intended or designated use.

### **⚠️ WARNUNG** Warning

#### **Danger due to unintended use!**

Dangers can emanate from the device if it is used for an unintended use and/or a different kind of use.

- ▶ Use the device exclusively for its intended use.
- ▶ Observe the procedural methods described in this Operating Manual.

Claims of all kinds due to damages resulting from unintended uses are excluded.

The User bears the sole risk.

## 10.2 General Safety information

### **HINWEIS** Please note

**Please observe the following general safety notices with regard to the safe handling of the device.**

- ▶ Examine the device for any visible external damages prior to using it. Never put a damaged device into operation.
- ▶ If the connection lead is damaged, you will need to have a new connection lead installed by an authorized electrician.
- ▶ This appliance can be used by children aged 8 years and above and persons with reduced physical, sensory or mental capabilities or lack of experience and knowledge if they have been given supervision or instruction concerning use of the appliance in a safe way and understand the hazards involved.
- ▶ Children shall not play with the appliance.
- ▶ Cleaning and user maintenance shall not be made by children without supervision.
- ▶ Do not use the wine refrigerator for storing foodstuff. The temperature is not cold enough to keep food fresh.
- ▶ Only qualified electricians, who have been trained by the manufacturer, may carry out any repairs that may be needed. Improperly performed repairs can cause considerable dangers for the user.
- ▶ Only customer service departments authorized by the manufacturer may carry out repairs on the device during the guarantee period, as otherwise the guarantee entitlements will be null and void in the event of any subsequent damages.
- ▶ Defective components must always be replaced with original replacement parts. Only such parts will guarantee that the safety requirements are fulfilled.

## 10.3 Sources of danger

### 10.3.1 Danger of burns or of explosion

#### **⚠️ WARNUNG** Warning

**There is a danger of burns and explosion due to excess pressure that is created in the event the device is not used properly.**

Observe the following safety notices to avoid dangers of burns or an explosion:

- ▶ Never use the device to store or dry flammable materials.
- ▶ Never clean appliance parts with flammable fluids. The fumes can create a fire hazard or explosion.
- ▶ Do not store or use gasoline or any other flammable vapours and liquids in the vicinity of this or any other appliance. The fumes can create a fire hazard or explosion.
- ▶ Do not damage the cooling circuit .

### 10.3.2 Dangers due to electrical power

#### **⚠️ GEFAHR** Danger

**Mortal danger due to electrical power!**

Mortal danger exists when coming into contact with live wires or subassemblies!

Observe the following safety notices to avoid dangers due to electrical power:

- ▶ Before changing the inner light, turn off the appliance first and then unplug the unit from the wall outlet.
- ▶ If the connection lead is damaged, you will need to have a special connection lead installed by an authorized electrician.
- ▶ Do not operate this device if its power cable or plug is damaged, if it does not work properly or if it is damaged or has been dropped. If the power cable is damaged, it will need to be replaced by the manufacturer or his service agency or a similar qualified person, to avoid any dangers.
- ▶ Do not open the housing on the device under any circumstances. There is a danger of an electrical shock if live connections are touched and the electrical or mechanical structure is altered. In addition, functional faults on the device can also occur.

## 11 Commissioning

This chapter provides you with important safety notices during the initial commissioning of the device. Observe the following notices to avoid dangers and damages:

### 11.1 Safety information

#### **⚠️ WARNUNG** Warning

**Personal and property damages can occur during commissioning of the device!**

Observe the following safety notices to avoid such dangers:

- ▶ Packaging materials may not be used for playing. There is a danger of suffocation.

**⚠️ WARNUNG**    **Warning**

- ▶ Transport, unpack and use two persons to set down the device because of the heavy weight of the device.

**11.2 Delivery scope and transport inspection**

As a rule, the WINEDUETT Touch 12 is delivered with the following components:

- Wine refrigerator WINEDUETT Touch 12
- 4 metal bottoms
- Operating Instructions

**HINWEIS**    **Please note**

- ▶ Examine the shipment for its completeness and for any visible damages.
- ▶ Immediately notify the carrier, the insurance and the supplier about any incomplete shipment or damages as a result of inadequate packaging or due to transportation.

**11.3 Unpacking**

To unpack the device, proceed as follows:

- Remove the device out of the carton and remove the packaging material.
- Clean the interior surface with lukewarm water using a soft cloth.
- Your wine refrigerator should only be moved in an upright position.
- After plugging the appliance into the wall outlet, than place wine bottles or beverages in the appliance.

**HINWEIS**    **Please note**

- ▶ Only remove the blue protective film shortly before setting up the device in the location where it will be used, to prevent scratches and dirt accumulations.

**11.4 Disposal of the packaging**

The packaging protects the device against damages during transit. The packaging materials are selected in accordance with environmentally compatible and recycling-related points of view and can therefore be recycled.

Returning the packaging back to the material loop saves raw materials and reduces the quantities of accumulated waste. Take any packaging materials that are no longer required to “Green Dot” recycling collection points for disposal.

**HINWEIS**    **Please note**

- ▶ If possible, keep the original packaging for the device for the duration of the guarantee period of the device, in order that the device can be re-packaged properly in the event of a guarantee claim.

## 11.5 Setup

### 11.5.1 Setup location requirements:

In order to ensure the safe and trouble-free operation of the device, the setup location must fulfil the following prerequisites:

- Place your appliance on a floor that is strong enough to support the appliance when it is fully loaded.
- Locate the appliance away from direct sunlight and sources of heat (stove, heater, radiator, etc.). Direct sunlight may affect the acrylic coating and heat sources may increase electrical consumption.
- Ambient temperature below 16°C or above 32°C will hinder the performance of the appliance.
- This unit is not designed for use in a garage or any other outside installation.
- Do not set up the device in a hot, wet or extremely damp environment or near flammable material.
- The device requires an adequate flow of air in order to operate correctly. Leave a clearance of 10-15 cm around the appliance.
- Do not cover up any openings on the device and do not block these off.
- The electrical socket must be easily accessible so that the power lead can be disconnected easily, in the case of an emergency.
- The installation and assembly of this device in non-stationary setup locations (e.g. on ships) must be carried out by specialist companies / electricians, provided they guarantee the prerequisites for the safe use of this device.
- For energy saving reasons please ensure that the door is closed when the appliance is turned on.

### 11.5.2 Legs/feet



There are 3 large feet pre-installed and one small foot which is not installed.

Small Foot can be found in the box.



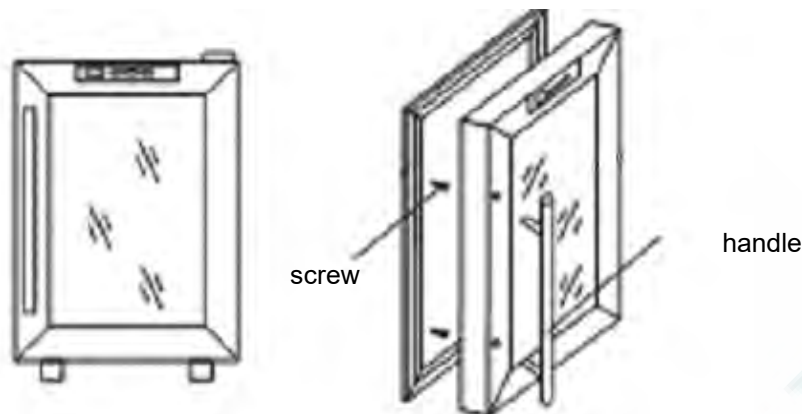
This small foot should be screwed into the hole in the hinge of the door.



By screwing or unscrewing this foot you can adjust the wine cooler to have a level stand.

### 11.5.3 The handle installing

The wine cooler comes with 1 metal stainless steel handle. To install simply screw them to the door with the supplied screws.



### 11.5.4 Wine shelves

Remove all bottles from the shelves. Lift the shelf upwards and then gently pull it out. Any of the wine shelves can be removed to accommodate larger bottles.

### 11.5.5 To remove a shelf

Remove all bottles from the shelves. Lift the shelf upwards and then gently pull it out.

#### **HINWEIS**

#### **Please note**

► Ensure that the tabs are firmly engaged in place before storing any bottles.

## 11.6 Electrical connection

In order to ensure the safe and trouble-free operation of the device, the following instructions must be observed for the electrical connection:

- Before connecting the device, compare the connection data (voltage and frequency) on the rating plate with those of your electrical network. This data must agree in order that no damages occur in the device. If in doubt, ask your qualified electrician.
- The electrical outlet must be protected by a 16A safety cut-out switch.
- The connection between the device and the electrical network may employ a 3 meter long (max.) extension cable with a cross-section of 1.5 mm<sup>2</sup>. The use of multiple plugs or gangs is prohibited because of the danger of fire that is involved with this.
- Make sure that the power cable is undamaged and has not been installed under or over hot or sharp surfaces.
- This unit is not designed to be installed in an RV or used with an inverter.
- The electrical safety of the device is only guaranteed if the device is connected to a properly installed protective conductor system. Operations using an electrical outlet without a protective conductor are prohibited. If in doubt, have the house installation checked over by a qualified electrician.  
The manufacturer cannot be made responsible for damages that are caused by a missing or damaged protective conductor.

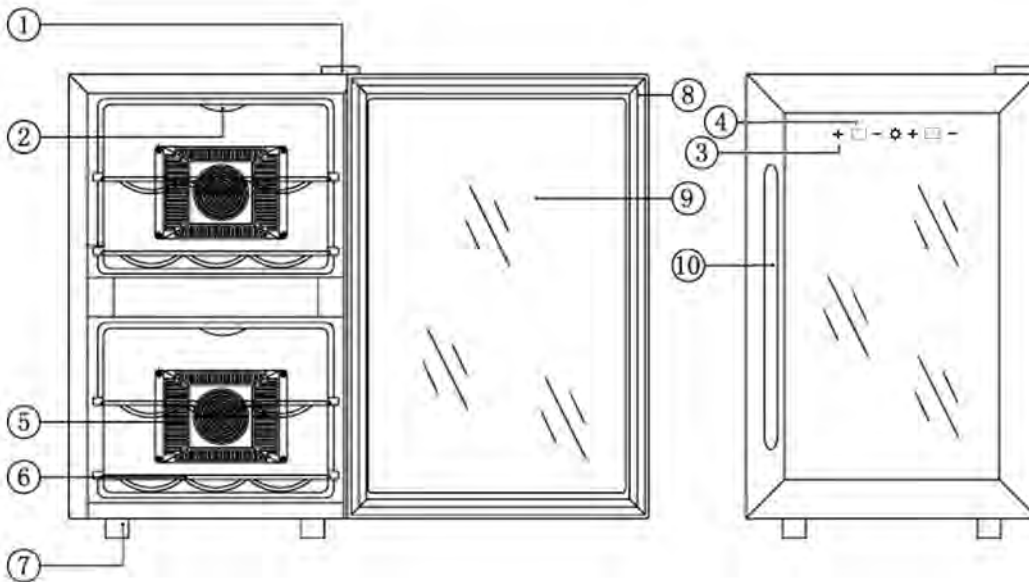


## 12 Design and Function

This chapter provides you with important safety notices on the design and function of the device.

### 12.1 Complete overview

- |                           |  |
|---------------------------|--|
| 1. HINGE                  | 6. SHELF                                 |
| 2. LIGHT                  | 7. FOOT (3 bigger feet and 1 small foot) |
| 3. TEMPERATURE CONTROLLER | 8. DOOR FRAME                            |
| 4. TEMPERATURE DISPLAY    | 9. GLASS                                 |
| 5. FAN MASK               | 10. HANDLE                               |



## 13 Operation and Handling

This chapter provides you with important notices with regard to operating the device.

### 13.1 Operating elements and displays

The device transmits the following signal sounds as an acoustic feedback signal:

**HINWEIS**

#### Please note

- ▶ The temperature range of the WINEDUETT Touch 12 is from 7°C to 18°C.
- ▶ Temperature recommendations: Red wine: 12°C – 16°C and white wine 6°C – 10°C.
- ▶ The display indicates the average temperature of the appliance at the moment.

Setting for  
upper zone

Setting for  
lower zone



You can set the temperature as your desire by pressing the button. There are press-button on the panel “+” and “-” to adjust the temperature by 1°C among 7-18°C.

You can tune the interior light on or off by pressing the “Light” button.

The temperature in the device depends on the room temperature, the quantity of bottles and the chosen temperature.

### 13.2 Rating plate

The rating plate with the connection and performance data can be founded on the back of the device.

## 14 Cleaning and Maintenance

This chapter provides you with important notices with regard to cleaning and maintaining the device. Please observe the notices to prevent damages due to cleaning the device incorrectly and to ensure trouble-free operation.

### 14.1 Safety information

#### **▲VORSICHT** Attention

Please observe the following safety notices, before you commence with cleaning the device:

- ▶ Prior to commissioning, clean the appliance thoroughly.
- ▶ Switch the wine cabinet off prior to cleaning it and unplug the plug from the wall power outlet. Remove all content.
- ▶ Do not use any aggressive or abrasive cleaning agents or solvents.
- ▶ Do not scrape off stubborn dirt with hard items.

### 14.2 Cleaning

#### ◆ Interior space

- Wash the inside with a damp cloth soaked in lukewarm water and baking soda solution. The solution should be about 2 tablespoons of baking soda to a quarter of water.
- After cleaning the interior space, leave the oven door open until the interior of the device is completely dry.

#### ◆ Door gasket

- Be sure to keep the door gasket clean to keep the unit running efficiently.

#### ◆ Cabinet

- The cabinet should be cleaned with a mild detergent and warm water.
- Use a soft, damp cloth for drying.

#### ◆ Vent opening

- Dust or anything else may block the vent and hinder the cooling efficiency of the appliance. Vacuum the vent if necessary.

### 14.3 Moving the appliance

Turn off the appliance first and then unplug the unit from the wall outlet.

Remove all content. Surely tape down all loose items inside your appliance.

Tape doors shut. Be sure the wine refrigerator stays in the upright position during transportation.

## 15 Troubleshooting

This chapter provides you with important notices with regard to operating the device. Observe the following notices to avoid dangers and damages:

### 15.1 Safety notices

#### **▲VORSICHT** Attention

- ▶ Only qualified electricians, who have been trained by the manufacturer, may carry out any repairs on electrical equipment.
- ▶ Improperly performed repairs can cause considerable dangers for the user and damages to the device.

### 15.2 Fault indications and rectification of faults

The following table assists in localizing and rectifying minor faults.

Fault	Possible Cause
Wine refrigerator do not operate.	Not plugged in using different voltage. The circuit breaker tripped or a blown fuse.
Wine refrigerator is not cold enough.	Check the temperature control setting. External environment may require a higher setting. The door is open too often. The door is not closed completely. The door seal does not seal properly. The wine refrigerator does not have the correct clearance.
The light does not work.	Check the service center.
Vibrations.	Check to assure that the wine refrigerator is level.
The wine refrigerator seems to make to much noise	The wine refrigerator is not level. Check the fan.
The door will not close properly.	The wine refrigerator is not level. The doors were reversed and not properly installed. The seal is weak. The shaves out of position.
LED could not display.	Main control board does not work. PCB Problem. There is some problem with the plug.

LED display error - Lo	Weak quality of display. Temperature point is out off. Check the service center.
Bottoms are not functional.	Temperature controller panel is damaged.

**▲VORSICHT** Attention

- ▶ If you are unable to solve the problem with the steps shown above, please contact Customer Service.



## 16 Disposal of the Old Device

Old electric and electronic devices frequently still contain valuable materials. However, they also contain damaging substances, which were necessary for their functionality and safety.

If these were put in the non-recyclable waste or were handled incorrectly, they could be detrimental to human health and the environment. Therefore, do not put your old device into the non-recyclable waste under any circumstances.

**HINWEIS**

### Please note

- ▶ Utilise the collection point, established in your town, to return and recycle old electric and electronic devices. If necessary, contact your town hall, local refuse collection service or your dealer for information.
- ▶ Ensure that your old device is stored safely away from children until it is taken away: Before you throw away your old refrigerator take off the doors and leave the shelves in place, so that children may not easily climb inside.